

PTFE WAFER BUTTERFLY VALVE



Size : DN 50 to 200 mm
Ends : Between flanges GN10/16 and ASA150
Min Temperature : - 25°C
Max Temperature : + 160°C
Max Pressure : 16 Bars
Specifications : Long neck for isolation
Wafer type
2 parts body
Iso 5211 mounting pad

Materials : Cast iron EN GJS 500-7 body

PTFE WAFER BUTTERFLY VALVE

SPECIFICATIONS :

- Long neck for isolation
- ISO 5211 mounting pad
- Wafer type
- Between flanges GN10/16 and ASA150
- 2 parts body
- Full crossing stem
- PTFE sealing ring with silicone elastic gasket
- Stainless steel PTFE coated disc
- 9 positions lever with locking device
- Rilsan coated body color RAL 5024 , 250-300 microns thickness
- Stem extension 75 mm length (option)
- Square lever 30x30 mm for special key (option)

USE :

- For all common fluids
- Min and max Temperature Ts : - 25°C to + 160°C
- Max Pressure Ps : 16 bars

RANGE :

- With lever from DN 50 to DN 200
- Gear box possible (**Ref. 1197**) from DN 50 to DN 200
- On request , chain gear box (**Ref. 98662**) from DN 50 to DN 200
- On request , stem extension with special length (**Ref. 98665**)

ENDS :

- Between flanges GN10-GN16 and ASA 150

TORQUE VALUES (in Nm with safety coefficient of 30 % included) at 10 Bars :

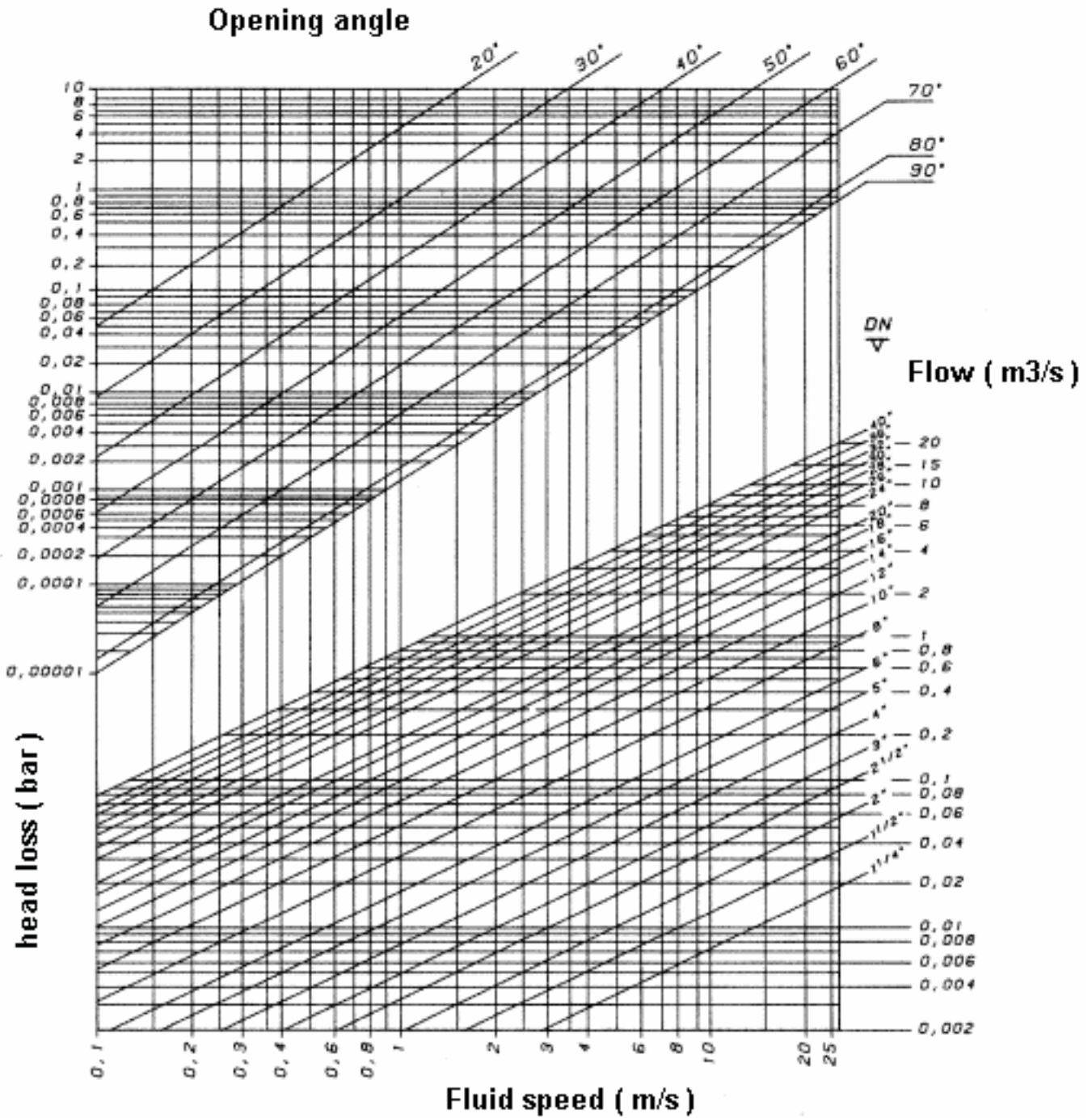
DN	50	65	80	100	125	150	200
Torque (Nm)	11	20	29	47	82	130	210

FLOW COEFFICIENT Kv (m³ / h) :

DN	50	65	80	100	125	150	200
Kv (m ³ /h)	109	200	334	551	901	1427	2383

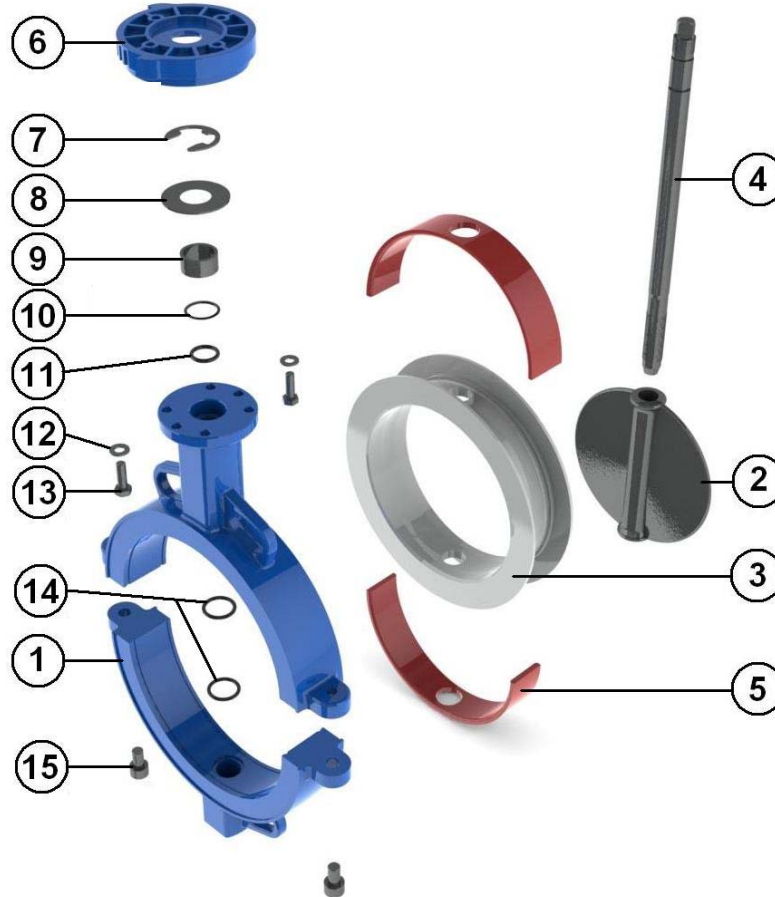
PTFE WAFER BUTTERFLY VALVE

HEAD LOSS GRAPH :



PTFE WAFER BUTTERFLY VALVE

MATERIALS :

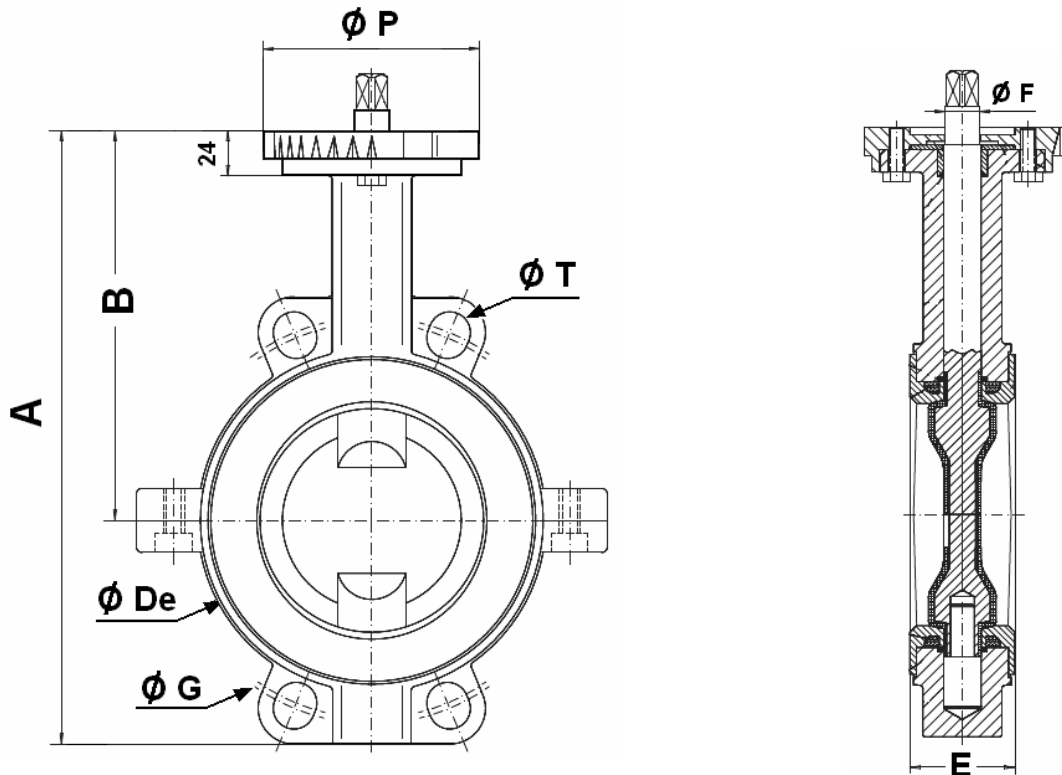


Item	Designation	Materials
1	Body	Cast iron EN GJS-500-7
2	Disc	CF-8M PTFE coated
3	Elastic ring	PTFE
4	Stem	SS 316
5	Insert	Silicone
6	Plate	Aluminium
7	Circlips	SS 316
8	Ring	SS 316
9	Socket	SS 316
10	O ring	FKM
11	O ring	FKM
12	Washer	SS 316
13	Plate screw	A4
14	O ring	FKM
15	Body screw	A4
	Lever	Aluminium

PTFE WAFER BUTTERFLY VALVE

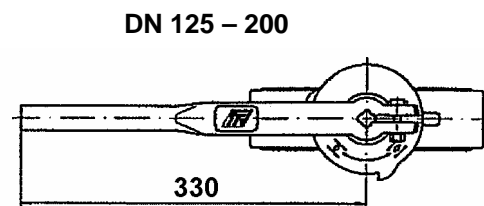
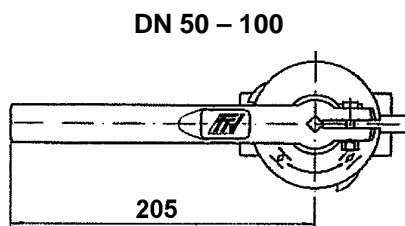
SIZE GN10 (in mm) :

• **Valves :**



DN	50	65	80	100	125	150	200
A	228	243	266	294	324	349	438
B	156	162	170	185	207	216	256
Ø De	102	119	135	155	185	208	270
E	43	46	46	52	56	56	60
Ø F	10.5	14.5	16.5	16.5	18.5	18.5	22.5
Ø G	125	145	160	180	210	240	295
Ø P	88	88	88	88	105	105	105
Ø T	18	18	18	18	18	23	23
Weight (Kg)	4	4.57	5.18	6.5	9.5	10.37	16.8

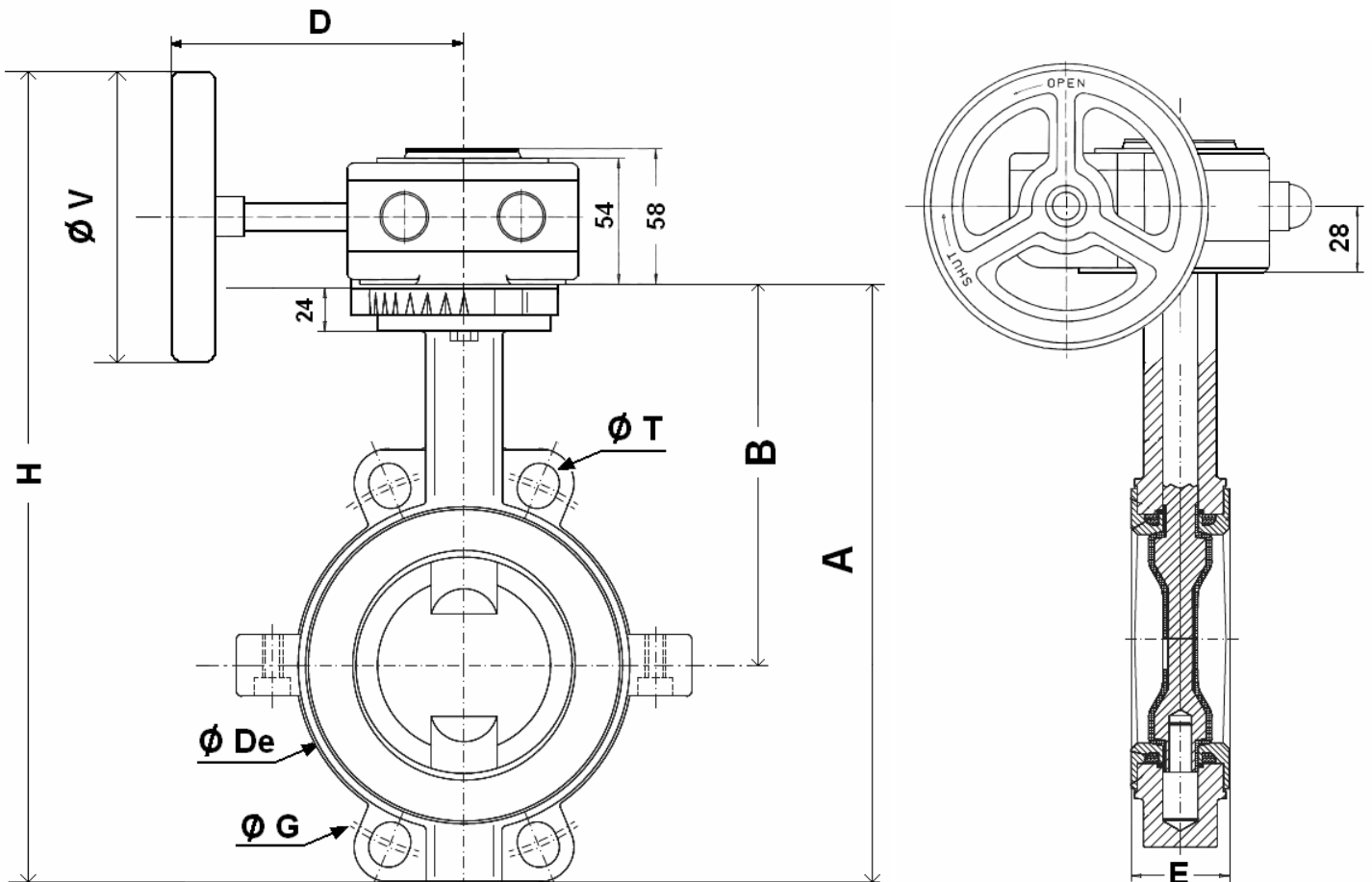
• **Levers :**



PTFE WAFER BUTTERFLY VALVE

SIZE GN10 (in mm) :

- **Valves with gear box :**



DN	50	65	80	100	125	150	200
A	228	243	266	294	324	349	438
B	156	162	170	185	207	216	256
Ø De	102	119	135	155	185	208	270
D	120	120	120	120	136	136	136
E	43	46	46	52	56	56	60
H	326	341	364	392	452	477	566
Ø G	125	145	160	180	210	240	295
Ø T	18	18	18	18	18	23	23
Ø V	140	140	140	140	200	200	200
Weight (Kg)	5.35	5.92	6.53	7.85	11.25	12.12	18.55

Sferaco 90 rue du Ruisseau 38297 St Quentin Fallavier Tel: + 33 (0) 474.94.15.90 Fax: + 33 (0) 474.95.62.08 Internet: www.sferaco.fr E-mail : sferaco@sferaco.fr

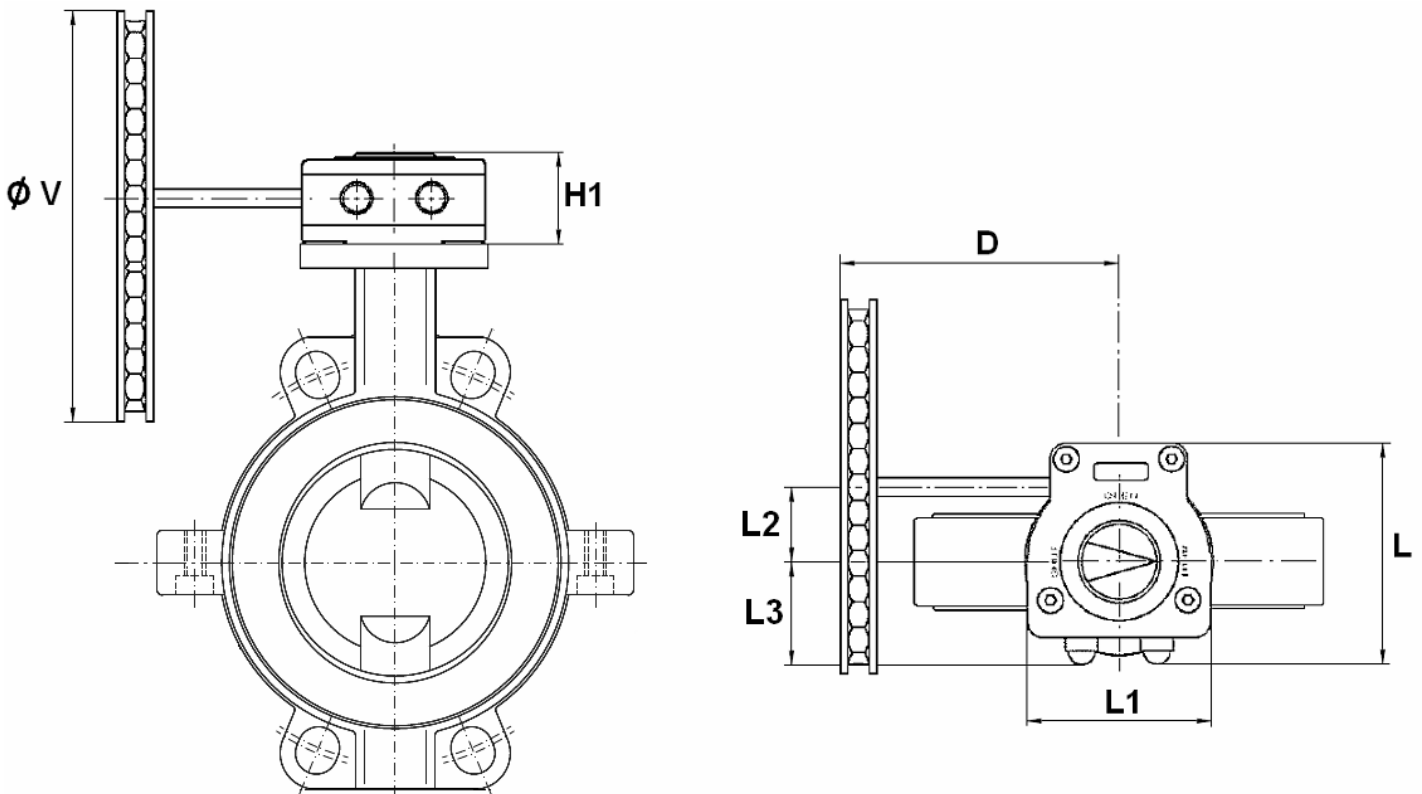
Date : 06/10

Rev.

PTFE WAFER BUTTERFLY VALVE

SIZE GN10 (in mm) :

- **Valves with chain gear box :**

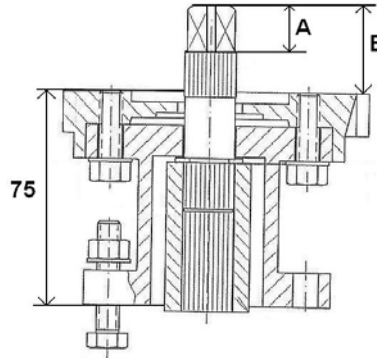


DN	50	65	80	100	125	150	200
D	120	120	120	120	126	126	126
H1	58	58	58	58	58	58	58
L	130	130	130	130	130	130	130
L1	100	100	100	100	100	100	100
L2	50	50	50	50	50	50	50
L3	58	58	58	58	58	58	58
Ø V	125	125	125	125	210	210	200
Weight (Kg)	6.35	6.92	7.53	8.85	12.25	13.12	19.55

PTFE WAFER BUTTERFLY VALVE

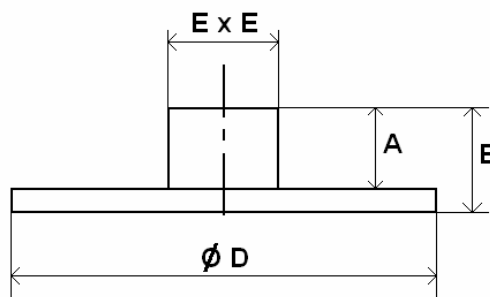
SIZE GN10 (in mm) :

- **Stem extension for isolation (75 mm) :**



DN	32-50	65	80-100	125-150	200
A	19	19	19	17	17
B	34	34	34	34	34
Weight (Kg)	0.8	0.8	0.9	0.9	1

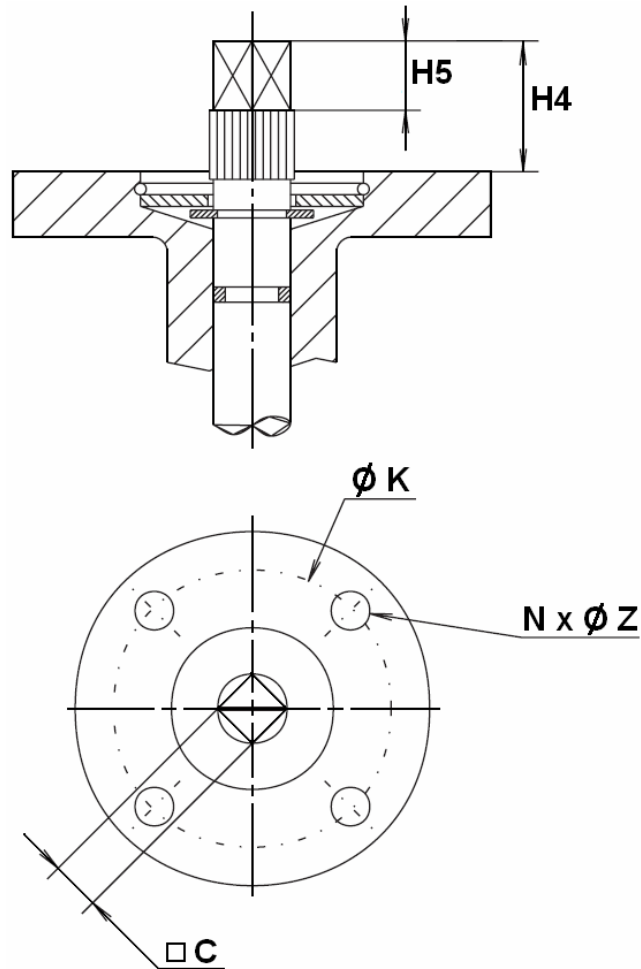
- **Square lever for special key (30x30 mm) :**



DN	32-50	65	80-100	125-150	200
A	20	20	20	20	20
B	31	31	32	32	32
Ø D	107	107	107	107	107
E x E	30 x 30	30 x 30	30 x 30	30 x 30	30 x 30
Weight (Kg)	0.88	0.88	0.88	0.88	0.88

PTFE WAFER BUTTERFLY VALVE

ISO MOUNTING PAD AND STEM SIZE (in mm) :



DN	50	65	80	100	125	150	200
H4	30	30	30	30	30	30	30
H5	17	17	17	17	17	17	17
C	8	9	11	11	14	14	17
Ø K	70	70	70	70	70	70	70
ISO	F07	F07	F07	F07	F07	F07	F07
N x Ø Z	4 x 9	4 x 9	4 x 9	4 x 9	4 x 9	4 x 9	4 x 9

PTFE WAFER BUTTERFLY VALVE

STANDARDS :

- Fabrication according to ISO 9001:2008
- DIRECTIVE 97/23/CE : CE N° 0409
Risk Category III module B + C1
- Tests according to ISO 5208
- Between flanges according to EN 1092-1 PN10
- ISO 5211 mounting pad
- Length according to ISO 5752 short series 20, BS 5155 Wafer short/medium, DIN 3202 part 3, series K1
- ATEX Group II Category 2 G/2D Zone 1 & 21 Zone 2 & 22 (optional marking)

ADVICE : Our opinion and our advice are not guaranteed and SFERACO shall not be liable for the consequences of damages.
The customer must check the right choice of the products with the real service conditions.

INSTALLATION INSTRUCTIONS

GENERAL GUIDELINES :

- Ensure that the valves to be used are appropriate for the conditions of the installation (type of fluid, pressure and temperature).
- Be sure to have enough valves to be able to isolate the sections of piping as well as the appropriate equipment for maintenance and repair.
- Ensure that the valves to be installed are of correct strength to be able to support the capacity of their usage.
- **Installation of all circuits should ensure that their function can be automatically tested on a regular basis (at least two times a year).**

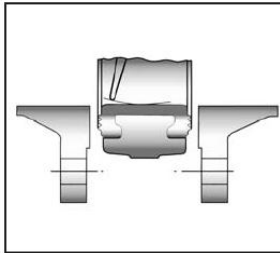
INSTALLATION INSTRUCTIONS :

- **Before installing the valves, clean and remove any objects from the pipes** (in particular bits of sealing and metal) which could obstruct and block the valves.
- **Ensure that both connecting pipes either side of the valve (upstream and downstream) are aligned (if they're not, the valves may not work correctly).**
- **Make sure that the two sections of the pipe (upstream and downstream) match, the valve unit will not absorb any gaps. Any distortions in the pipes may affect the tightness of the connection, the working of the valve and can even cause a rupture.** To be sure, place the kit in position to ensure the assembling will work.

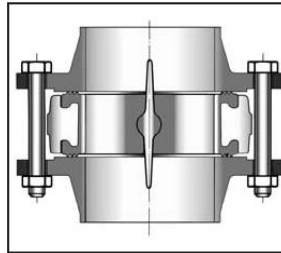
PTFE WAFER BUTTERFLY VALVE

INSTALLATION INSTRUCTIONS (SUITE):

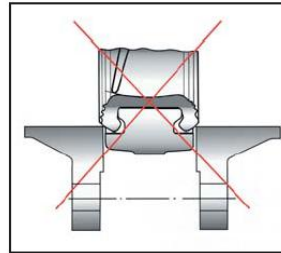
- If sections of piping do not have their final support in place, they should be temporarily fixed. This is to avoid unnecessary strain on the valve.
- The valve must be inserted between flanges with disc half opened but the disc must not overpass the valve thickness. Position the bolts to keep centered the valve. Then open fully the valve and tighten the bolts. See graph under.



Half open valve introduction



Complete opened disc valves when screw tightening



- Tighten the bolts in cross.
- The disc must move easily inside the pipe.
- Valves must be opened during cleaning operation.
- Tests must be done with a cleaned pipe.
- Tests must be done with opened valve. Test pressure must not be higher than the valve specification according to EN 12266-1.
- Then open slowly the valve.
- **Do not mount butterfly valves with stainless steel pressed collars and turning flanges.**
- **And not on flat face flanges without strias (example : painted cast iron fittings)**

MAINTENANCE :

- We recommend to operate fully the valve 1 to 2 times per year.
- During maintenance operation, ensure that the pipe isn't under pressure, that there's no fluid in the pipe and that the valve is isolated. If there's a fluid in the pipe, evacuate it. Ensure that there are no risks due to the temperature or the fluid (like acids). If the fluid is corrosive, inert the installation before maintenance operation.