

**2 PIECES BALL VALVES FLANGED GN 16**



**Size :** DN 15 to 200 mm  
**Connection end :** Flanges GN16  
**Min Temperature :** -30°C in SS and -20°C in carbon steel  
**Max Temperature :** + 150°C  
**Max Pressure :** 16 Bars  
**Specifications :** Iso mounting pad  
PTFE filled with glass seat  
Anti blow-out stem  
Atex

**Materials :** Carbon steel or Stainless steel

**2 PIECES BALL VALVES FLANGED GN 16**

**SPECIFICATIONS :**

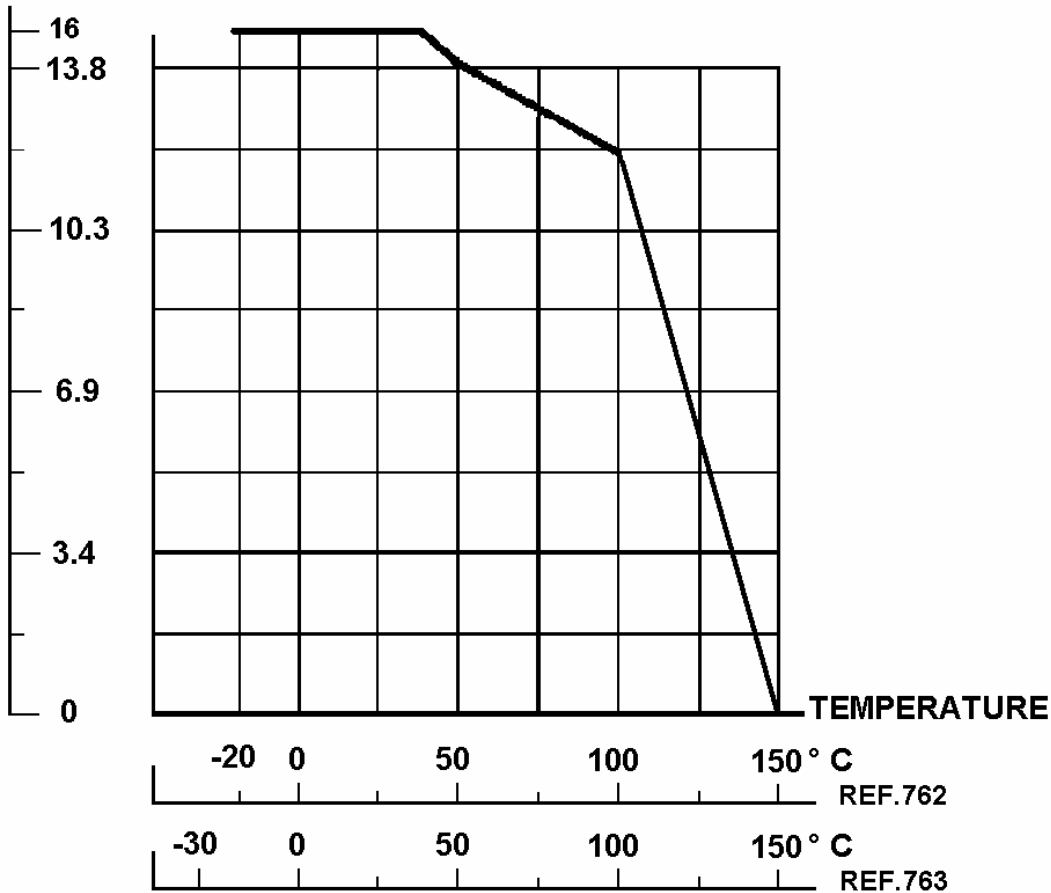
- . Full bore
- . Anti blow-out stem
- . PTFE seat filled with glass
- . Locking device
- . Iso 5211 mounting pad
- . 2 pieces type ( Split body )
- . Hollowed ball in DN200

**USE :**

- . For all common fluids
- . Min and max Temperatures Ts : -30°C to + 150°C for stainless steel type **Ref. 763**
- . Min and max Temperatures Ts : -20°C to + 150°C for carbon steel type **Ref. 762**
- . Max Pressure Ps : 16 bars ( see graph )

**PRESSURE / TEMPERATURE GRAPH ( STEAM EXCLUDED ) :**

**PRESSURE  
BAR**



2 PIECES BALL VALVES FLANGED GN 16

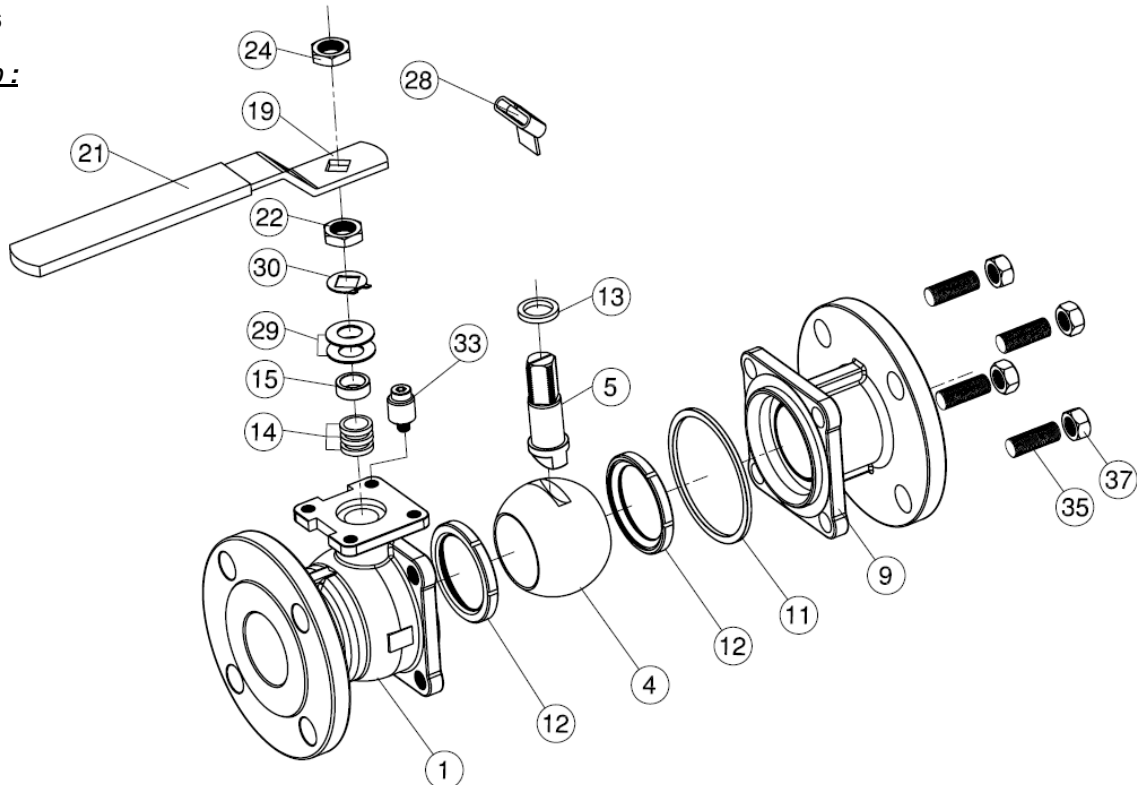
**RANGE :**

- Carbon steel **Ref. 762** DN 15 to DN 200
- Stainless steel **Ref. 763** DN 15 to DN 200

**ENDS :**

- Flanges GN16

**MATERIALS DN 15 - 50 :**

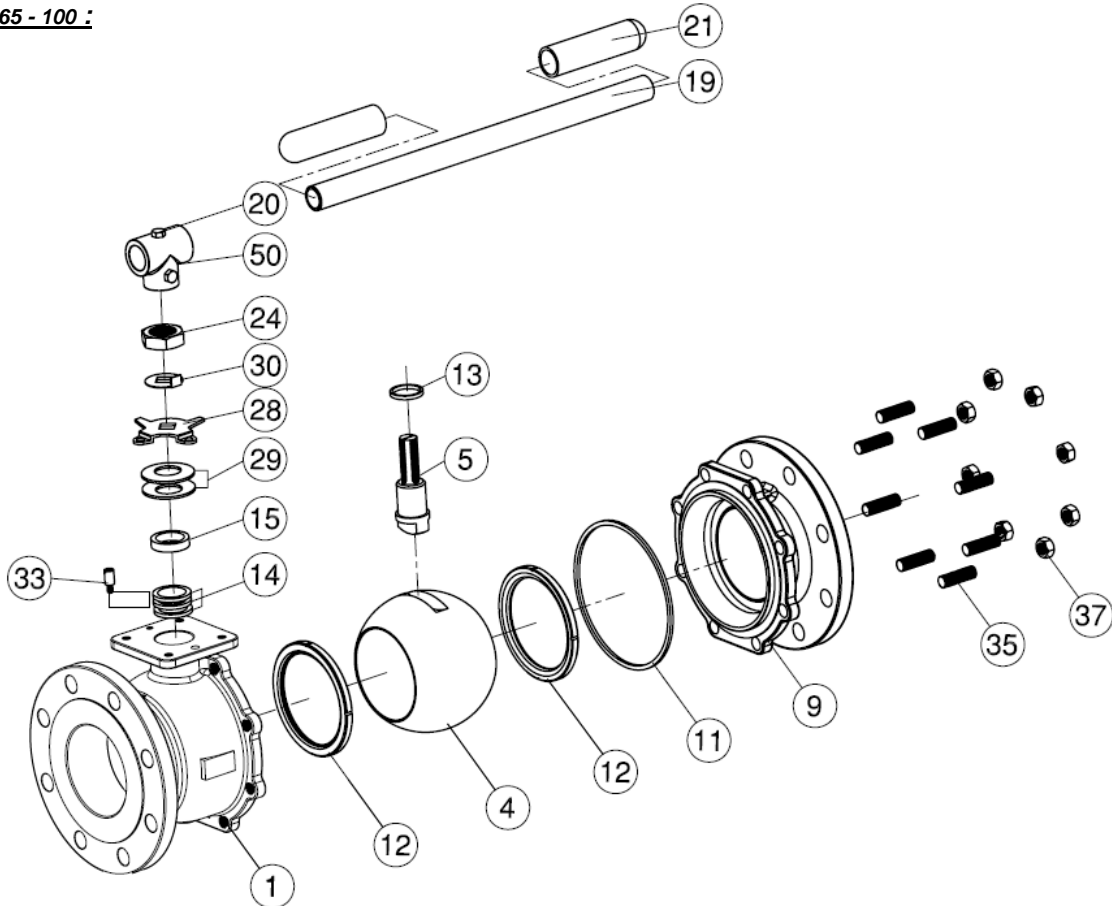


Item	Designation	Materials 762	Materials 763
1	Body	ASTM A216 WCB	ASTM A351 CF8M
4	Ball	ASTM A351 CF8	ASTM A351 CF8M
5	Stem	SS 304	SS 316
9	Ends	ASTM A216 WCB	ASTM A351 CF8M
11*	Body seal	PTFE	
12*	Seat	PTFE filled with 15% glass	
13*	Thrust washer	PTFE	
14*	Stem packing	PTFE	
15	Gland bush	SS 304	
19	Handle	SS 304	
21	Handle cover	Plastic	
22	Stem nut	SS 304	
24	Handle nut	SS 304	
28	Locking pad	SS 304	
29	Elastic washer	SS 301	
30	Tab washer	SS 304	
33	Stop pin	SS 304	
35	Body bolt	ASTM A193 Gr.B7H	ASTM A193 Gr.B8
37	Bolt nut	ASTM A194 Gr.2HM	ASTM A194 Gr.8

(\* : included in gaskets kit)

**2 PIECES BALL VALVES FLANGED GN 16**

**MATERIALS DN 65 - 100 :**

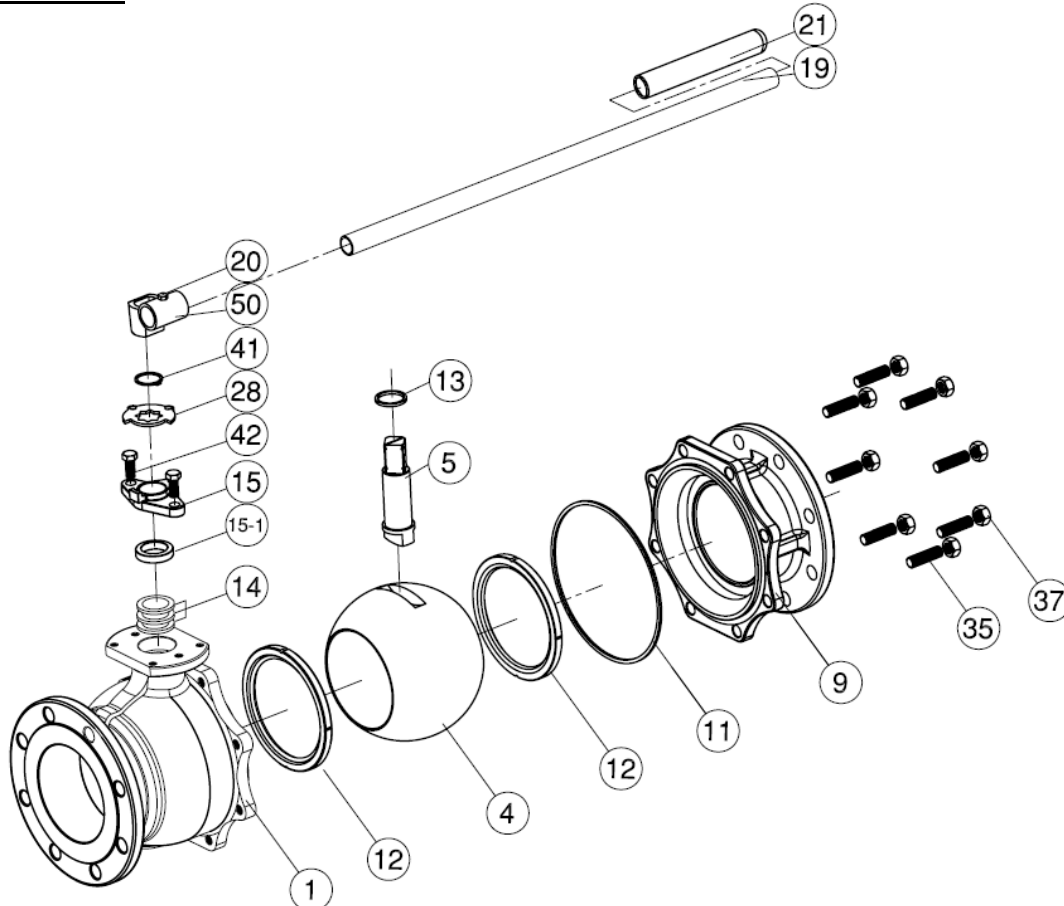


Item	Designation	Materials 762	Materials 763
1	Body	ASTM A216 WCB	ASTM A351 CF8M
4	Ball	ASTM A351 CF8	ASTM A351 CF8M
5	Stem	SS 304	SS 316
9	Ends	ASTM A216 WCB	ASTM A351 CF8M
11*	Body seal	PTFE	
12*	Seat	PTFE filled with 15% glass	
13*	Thrust washer	PTFE	
14*	Stem packing	PTFE	
15	Gland bush	SS 304	
19	Handle	LRON	
20	Set bolt	SS 304	
21	Handle cover	Plastic	
24	Handle nut	SS 304	
28	Stop plate	SS 304	
29	Elastic washer	SS 301	
30	Tab washer	SS 304	
33	Stop pin	SS 304	
35	Body bolt	ASTM A193 Gr.B7H	ASTM A193 Gr.B8
37	Bolt nut	ASTM A194 Gr.2HM	ASTM A194 Gr.8
50	Handle adapter	SS 304	

(\* : included in gaskets kit)

**2 PIECES BALL VALVES FLANGED GN 16**

**MATERIALS DN 125 - 200 :**



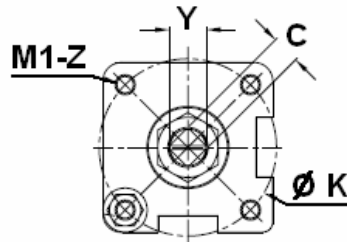
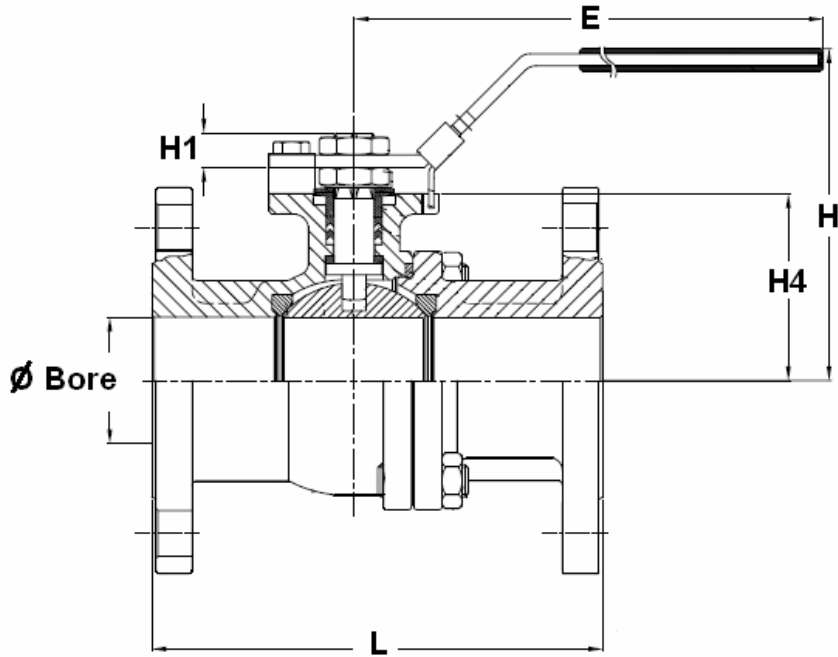
Item	Designation	Materials 762	Materials 763
1	Body	ASTM A216 WCB	ASTM A351 CF8M
4	Ball	ASTM A351 CF8	ASTM A351 CF8M
5	Stem	SS 304	SS 316
9	Ends	ASTM A216 WCB	ASTM A351 CF8M
11*	Body seal	PTFE	
12*	Seat	PTFE filled with 15% glass	
13*	Thrust washer	PTFE	
14*	Stem packing	PTFE	
15	Gland	ASTM A216 WCB	SS 304
15-1	Gland bush	SS 304	
19	Handle	LRON	
20	Set bolt	SS 304	
21	Handle cover	Plastic	
28	Stop plate	SS 304	
35	Body bolt	ASTM A193 Gr.B7H	ASTM A193 Gr.B8
37	Bolt nut	ASTM A194 Gr.2HM	ASTM A194 Gr.8
41	Snap ring	SS 304	
42	Gland bolt	SS 304	
50	Handle adapter	SS 304	

(\* : included in gaskets kit )

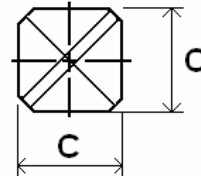
**2 PIECES BALL VALVES FLANGED GN 16**

SIZE ( in mm ) :

**DN 15 - 50**



Stem size :

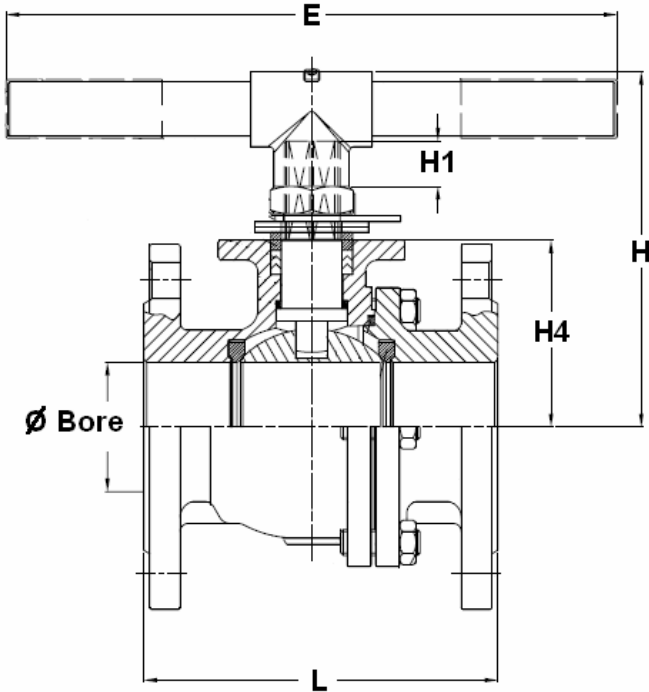


	DN	15	20	25	32	40	50
Ref.	Ø Bore	15	20	25	32	38	50
	L	115	120	125	130	140	150
762 / 763	E	132	132	166	166	198	198
	H	80	84.5	102	105	125	132
DN 15 - 50	H1	8.5	8.5	12	12	12	12
	H4	38.5	42.5	52	56	65.3	73.8
	C	9	9	11	11	14	14
	Ø Y	11.2	11.2	14.3	14.3	18	18
	Ø K	42	42	50	50	70	70
	M1-Z	4xM5	4xM5	4xM6	4xM6	4xM8	4xM8
	Weight ( Kgs )	2.2	2.85	3.85	5.28	7	9.3

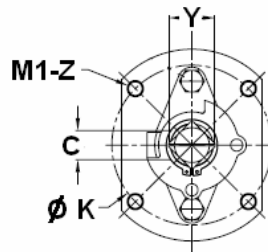
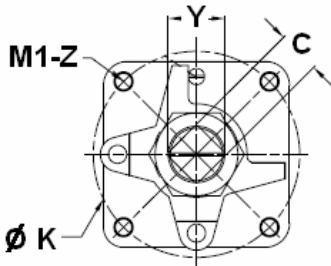
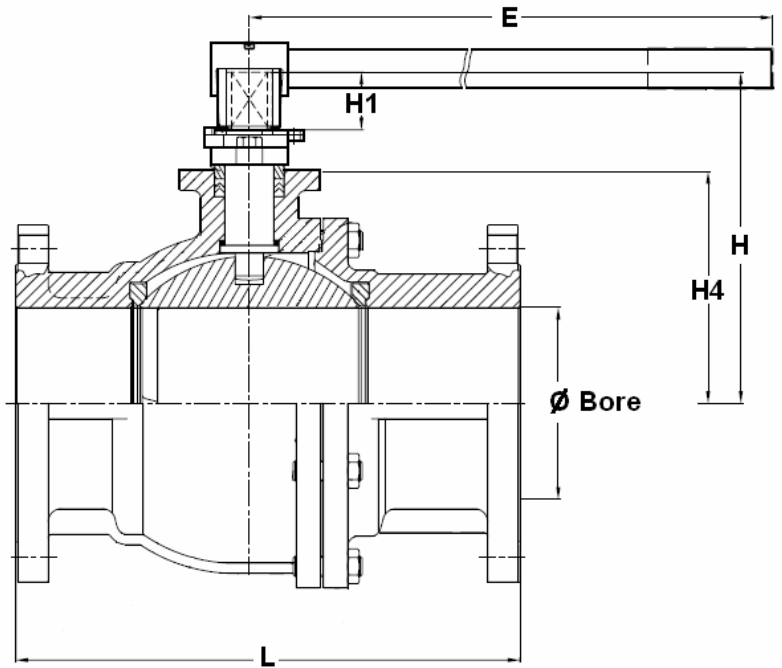
**2 PIECES BALL VALVES FLANGED GN 16**

SIZE ( in mm ) :

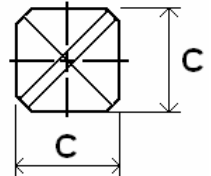
**DN 65 -100**



**DN 125 - 200**



Stem size :



	DN	65	80	100	125	150	200
Ref.  762 / 763 DN 65 - 200	Ø Bore	64	76	100	125	150	200
	L	170	180	190	325	350	400
	E	300	300	450	600	800	1016
	H	178	188	202	233	259	362
	H1	23	23	23	45	45	43.4
	H4	92.5	101.7	119	163	182.5	252
	C	17	17	17	27	27	36
	Ø Y	22.3	22.3	22.3	36	36	-
	Ø K	102	102	102	125	125	140
	M1-Z	4xM10	4xM10	4xM10	4xM12	4xM12	4xM16
	Weight ( Kg )	13.8	17.36	23.52	47	65.4	136

**2 PIECES BALL VALVES FLANGED GN 16****TORQUE VALUES ( in Nm without safety coefficient ) :**

DN	15	20	25	32	40	50	65	80	100	125	150	200
Torque ( Nm )	2.9	5.5	10	15	25	41	42	122	170	243	290	450

**STANDARDS :**

- . Fabrication according to ISO 9001
- . DIRECTIVE 97/23/CE : CE N° 0035  
Risk Category II
- . Construction according to EN 10213-4
- . Tests according to EN 12266-1
- . Flanges according to EN 1092-1
- . ISO 5211 mounting pad
- . Length according to DIN 3202 F4/F5
- . ATEX Group II Category 2 G/2D Zone 1 & 21 Zone 2 & 22 ( optional marking )

**ADVICE :** Our opinion and our advice are not guaranteed and SFERACO shall not be liable for the consequences of damages.  
The customer must check the right choice of the products with the real service conditions.