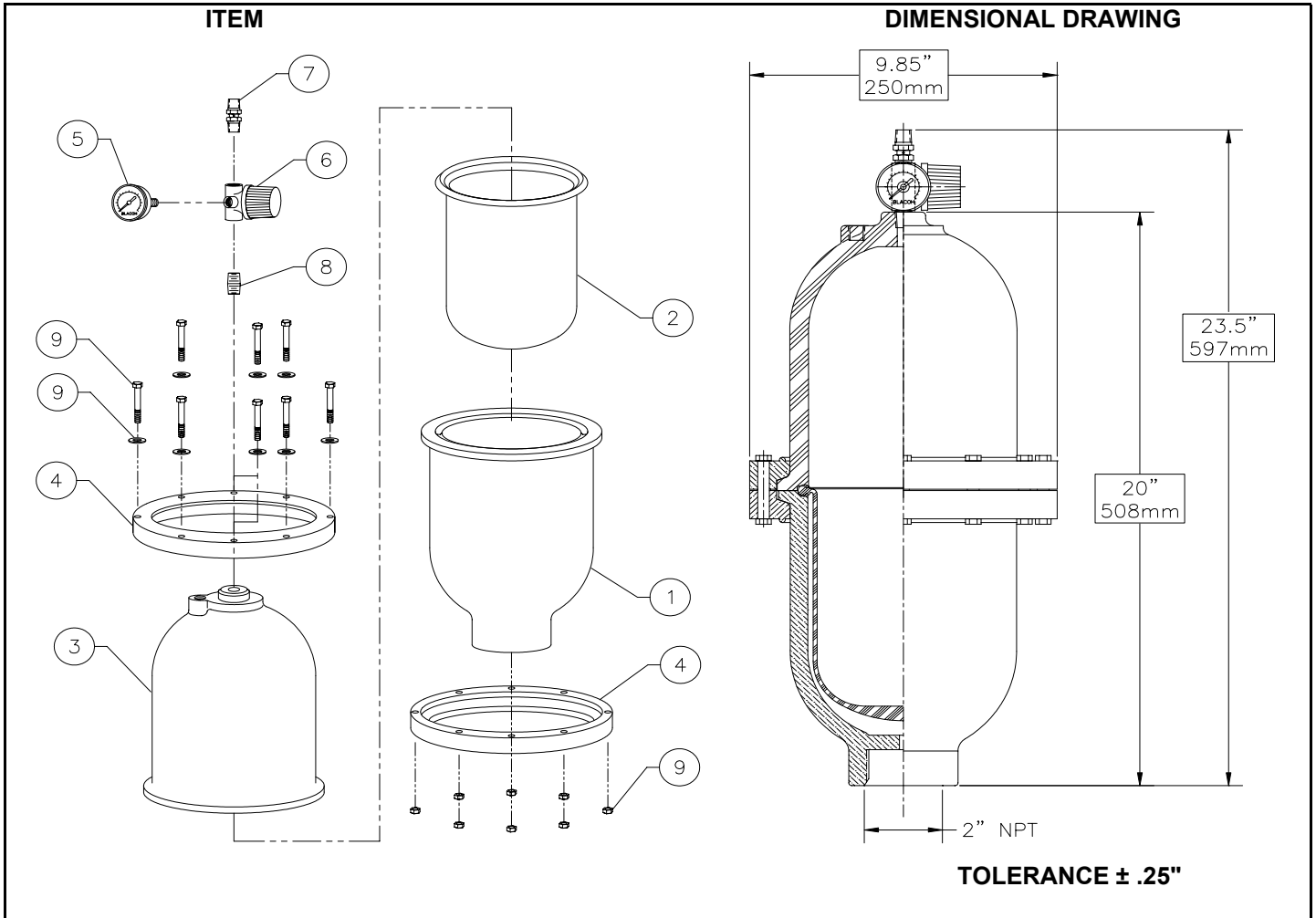


| | |
|---------------------------|-------------------------------------|
| SENTRY MODEL #: | 201NDP |
| MAXIMUM PRESSURE: | 150 PSI/10 BAR |
| CAPACITY: | 370 CUBIC INCHES/6.06 LITERS |
| WETTED HOUSING: | PVDF |
| NONWETTED HOUSING: | GLASS FILLED POLYPROPYLENE |
| BLADDER: | EPDM |
| INLET: | 2" FNPT |
| AIR CONTROL: | ADJUSTABLE |

| DESCRIPTION | | | | |
|-------------|----------|-----|-------------------|---|
| ITEM | PART # | QTY | Component | Material |
| 1 | 201-27 | 1 | Wetted Housing | PVDF |
| 2 | 201-28 | 1 | Bladder | EPDM |
| 3 | 101-24AJ | 1 | Nonwetted Housing | Glass Filled Polypropylene |
| 4 | 105-26K | 1 | Ring Band Assy | Glass Filled Noryl (Includes Fastener Assy) |
| 5 | 101-20 | 1 | Gauge | Plastic, Brass, Bronze |
| 6 | 101-21 | 1 | Air Regulator | Paint Coated Aluminum-Plastic Knob |
| 7 | 101-30 | 1 | Check Valve | Brass |
| 8 | 101-23 | 1 | Nipple | Stainless Steel |
| 9 | 105-80 | 1 | Fastener Assy | Stainless Steel |

7/21/2003



BLACOH FLUID CONTROL, INC

RIVERSIDE, CALIFORNIA USA

TEL: 800.603.7867 or 909.342.3100 Fax: 909.342.3101

E-mail: sales@blacoh.com web site: www.blacoh.com