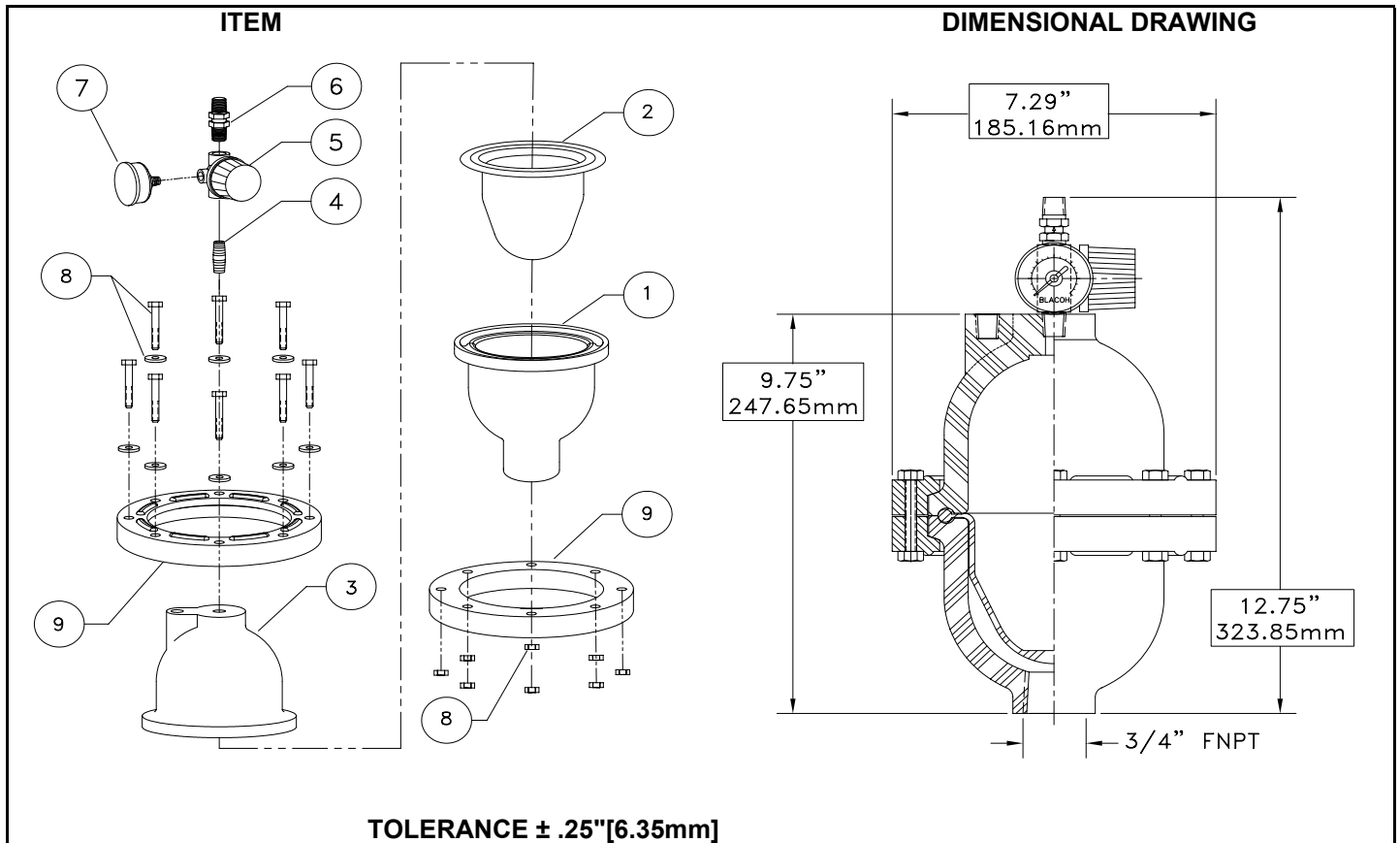


SENTRY MODEL #:	401NDP
MAXIMUM PRESSURE:	150 PSI/10 BAR
CAPACITY:	85 CUBIC INCHES/1.39 LITERS
WETTED HOUSING:	PVDF
NONWETTED HOUSING:	GLASS FILLED POLYPROPYLENE
BELLOWS:	EPDM
INLET:	3/4" FNPT
AIR CONTROL:	ADJUSTABLE

DESCRIPTION				
ITEM	PART #	QTY	Component	Material
1	401-27T	1	Wetted Housing	PVDF
2	301-28	1	Bladder	EPDM
3	301-24AJT	1	Nonwetted Housing	Glass Filled Polypropylene
4	101-23	1	Nipple	Stainless Steel
5	101-21	1	Air Regulator	Paint-Coated Aluminum / Plastic Knob
6	101-30	1	Check Valve	Brass
7	101-20	1	Gauge	Plastic, Brass, Bronze
8	103-51H	1	Fastener Assy	Stainless Steel
9	103-51	1	Ring Band Assy	Glass Filled Noryl (Includes Fastener Assy)

5/19/2006



BLACOH FLUID CONTROL, INC

RIVERSIDE, CA 92507 USA

TEL: 800.603.7867 or 951.342.3100 Fax: 951.342.3101

E-mail: sales@blacoh.com web site: www.blacoh.com