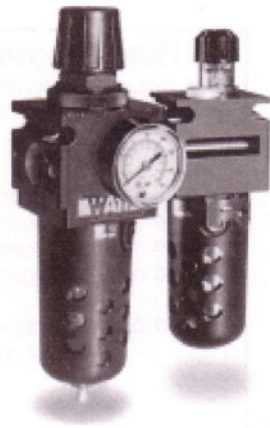


**WARREN  
RUPP®**

Quality System  
ISO9001 Certified

Environmental  
Management System  
ISO14001 Certified

**IDEX**  
IDEX CORPORATION



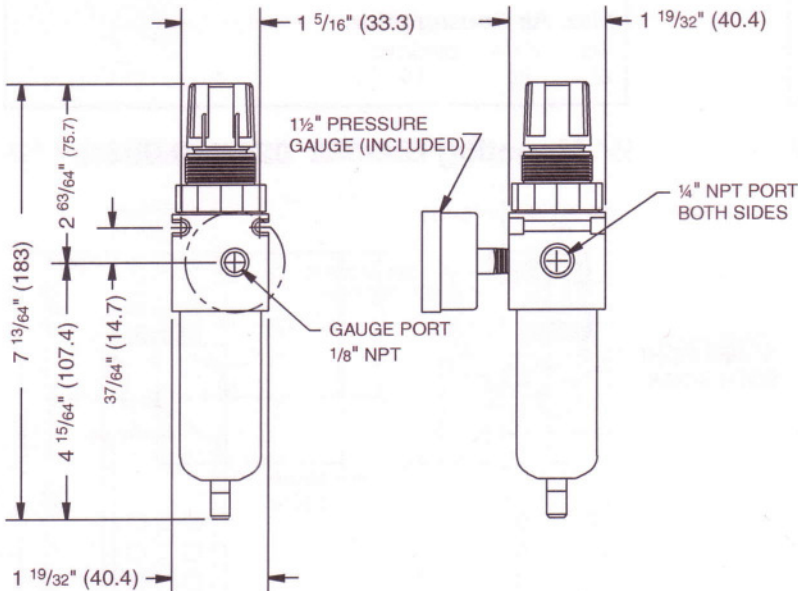
**RUPPTECH®**  
WARREN RUPP PUMP CONTROLS

# Filter/Regulator & Lubricator

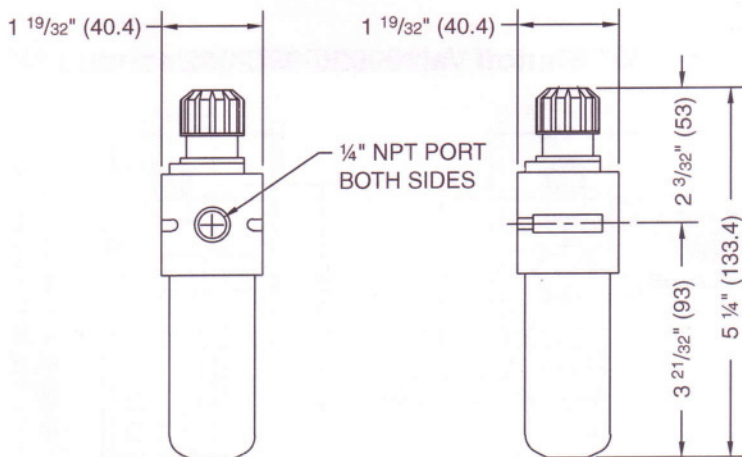
for Air-Powered  
Double-Diaphragm Pumps

ENGINEERING, PERFORMANCE  
& CONSTRUCTION DATA

## 1/4" Filter/Regulator 020-049-000



## 1/4" Lubricator 020-049-001



Dimensions are  $\pm 1/8"$   
Figures in parenthesis = millimeters

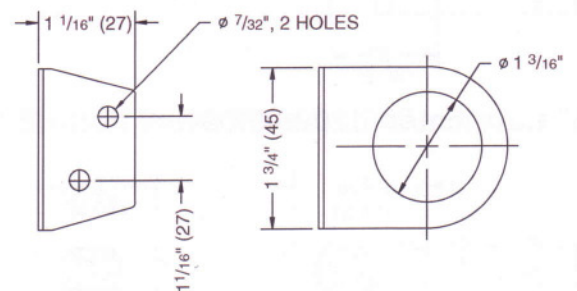
## 1/4" Filter/Regulator/Lubricator

| Part No.    | Description                                    | Kit Includes  |
|-------------|--|---|
| 020-049-000 | 1/4" Filter Regulator                          | Mounting bracket<br>020-049-007,<br>1 1/2" pressure gauge                                 |
| 020-049-001 | 1/4" Lubricator                                |   |
| 020-049-002 | 1/4" Shutoff Valve                             |   |
| 020-049-004 | 20 Micron Filter Element                       |   |
| 020-049-005 | 1/4" Regulator Repair Kit                      | Piston assembly<br>Stem & disc assembly   |
| 020-049-006 | Lubricator Repair Kit<br>Fits 1/4", 1/2", 3/4" | Sight dome<br>Drip spout<br>Sight dome retainer<br>Sight dome o-ring<br>Drip spout o-ring |
| 020-049-007 | 1/4" Mounting Bracket                          |   |
| 020-049-008 | 1/4" End Plate Kit                             |   |
| 020-053-000 | Replacement 1 1/2" Pressure Gauge              |   |

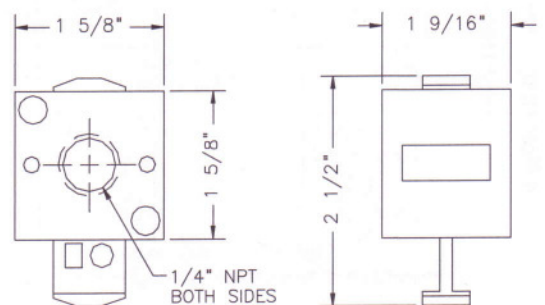
### Max. Air Consumption

| Size | SCFM | Liters/sec. |
|------|------|-------------|
| 1/4" | 40   | 18          |

## 1/4" Mounting Bracket 020-049-007



## 1/4" Shutoff Valve 020-049-002



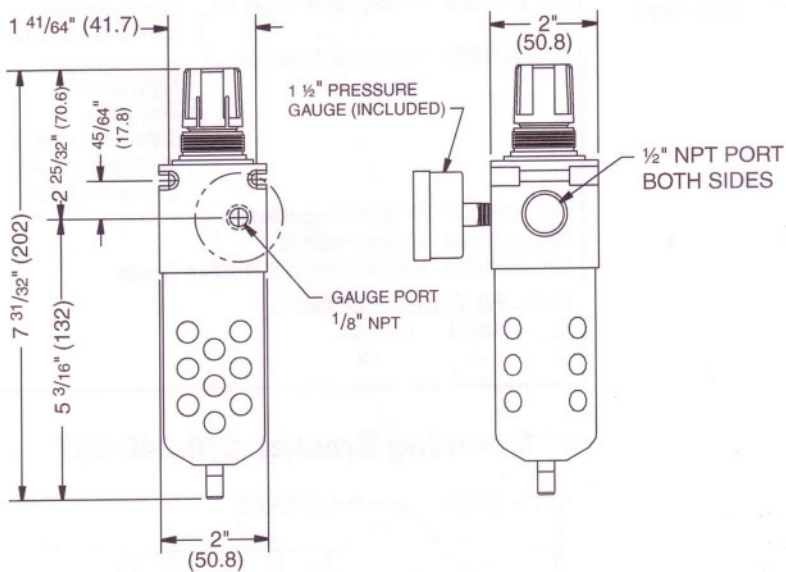
## 1/2" Filter/Regulator/Lubricator

| Part No.    | Description                                    | Kit Includes  |
|-------------|--|---|
| 020-050-000 | 1/2" Filter Regulator                          | Mounting bracket<br>020-050-007,<br>1 1/2" pressure gauge                                 |
| 020-050-001 | 1/2" Lubricator                                |   |
| 020-050-002 | 1/2" Shutoff Valve                             |   |
| 020-050-004 | 40 Micron Filter Element                       |   |
| 020-050-005 | 1/2" Regulator Repair Kit                      | Diaphragm assembly<br>Stem & disc assembly  |
| 020-049-006 | Lubricator Repair Kit<br>Fits 1/4", 1/2", 3/4" | Sight dome<br>Drip spout<br>Sight dome retainer<br>Sight dome o-ring<br>Drip spout o-ring |
| 020-050-007 | 1/2" Mounting Bracket                          |   |
| 020-050-008 | 1/2" End Plate Kit                             |   |
| 020-053-000 | Replacement 1 1/2" Pressure Gauge              |   |

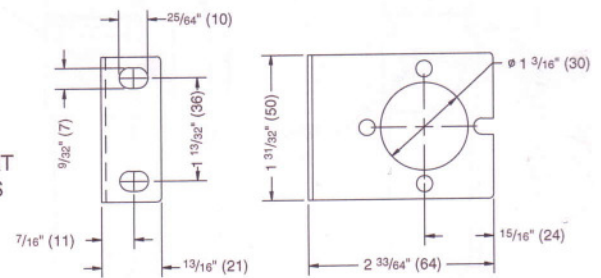
### Max. Air Consumption

| Size | SCFM | Liters/sec. |
|------|------|-------------|
| 1/2" | 80   | 40          |

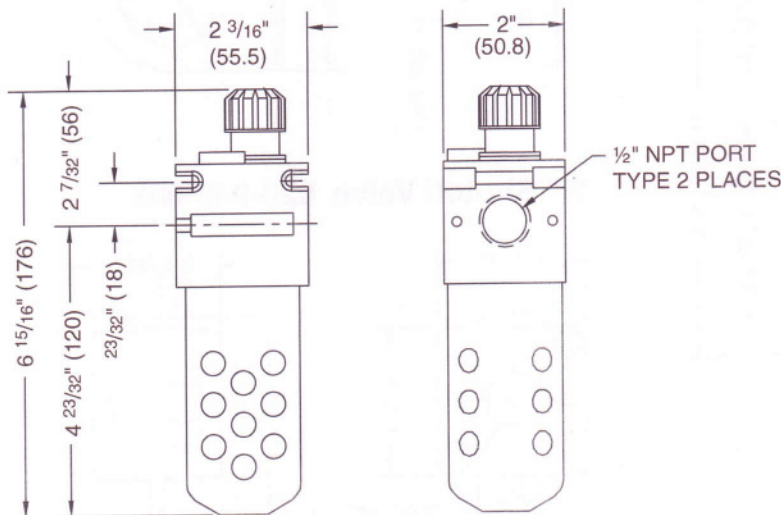
### 1/2" Filter/Regulator 020-050-000



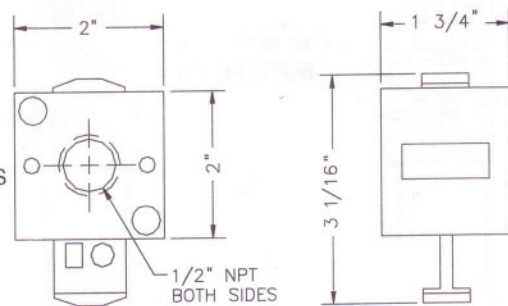
### 1/2" Mounting Bracket 020-050-007



### 1/2" Lubricator 020-050-001



### 1/2" Shutoff Valve 020-050-002



Dimensions are  $\pm 1/8"$   
Figures in parenthesis = millimeters

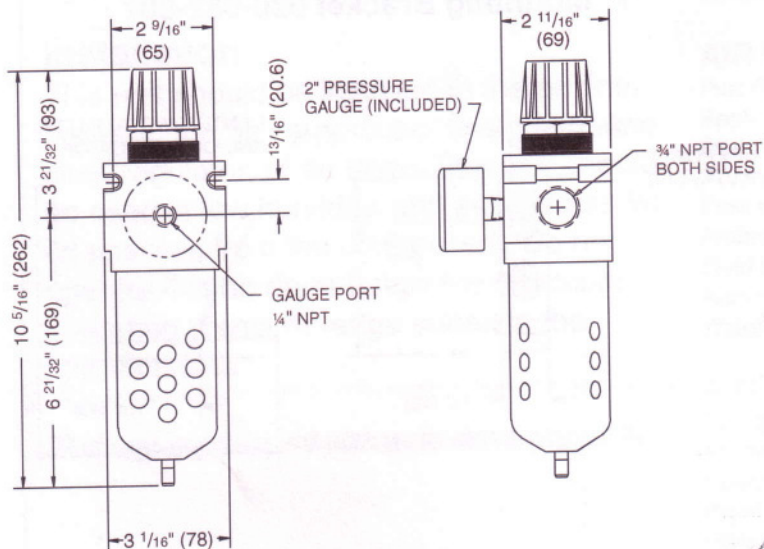
### 3/4" Filter/Regulator/Lubricator

| Part No.    | Description                                    | Kit Includes  |
|-------------|--|---|
| 020-051-000 | 3/4" Filter Regulator                          | Mounting bracket<br>020-051-007,<br>2" pressure gauge                                     |
| 020-051-001 | 3/4" Lubricator                                |   |
| 020-051-002 | 3/4" Shutoff Valve                             |   |
| 020-051-004 | 40 Micron Filter Element                       |   |
| 020-051-005 | 3/4" Regulator Repair Kit                      | Diaphragm assembly<br>Stem & disc assembly  |
| 020-049-006 | Lubricator Repair Kit<br>Fits 1/4", 1/2", 3/4" | Sight dome<br>Drip spout<br>Sight dome retainer<br>Sight dome o-ring<br>Drip spout o-ring |
| 020-051-007 | 3/4" Mounting Bracket                          |   |
| 020-051-008 | 3/4" End Plate Kit                             |   |
| 020-054-000 | Replacement 2" Pressure Gauge                  |   |

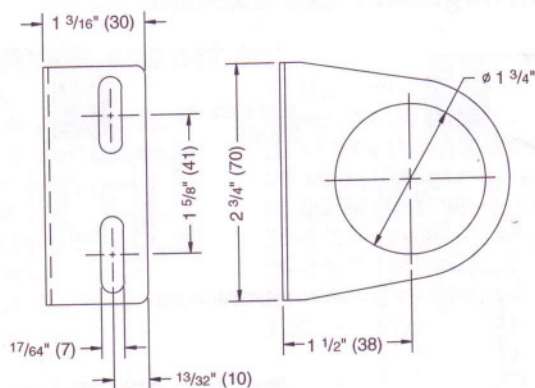
### Max. Air Consumption

| Size | SCFM | Liters/sec. |
|------|------|-------------|
| 3/4" | 150  | 70          |

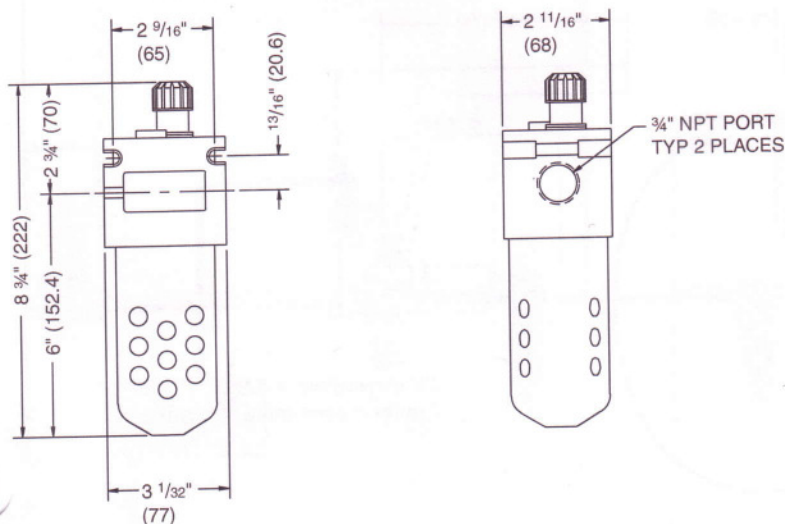
### 3/4" Filter/Regulator 020-051-000



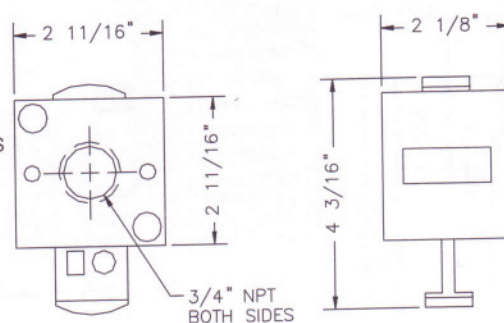
### 3/4" Mounting Bracket 020-051-007



### 3/4" Lubricator 020-051-001



### 3/4" Shutoff Valve 020-051-002



Dimensions are  $\pm 1/8"$   
Figures in parenthesis = millimeters

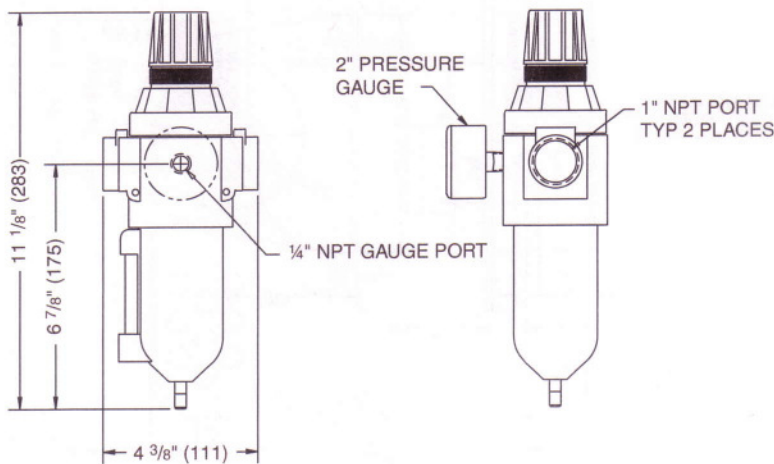
## 1" Filter/Regulator/Lubricator

| Part No.    | Description                   | Kit Includes  |
|-------------|-------------------------------|---|
| 020-052-000 | 1" Filter Regulator           | Mounting bracket<br>020-052-007,<br>2" pressure gauge   |
| 020-052-001 | 1" Lubricator                 |   |
| 020-052-002 | 1" Shutoff Valve              |   |
| 020-052-004 | 40 Micron Filter Element      | Gasket  |
| 020-052-005 | 1" Regulator Repair Kit       | Piston assembly<br>Disc assembly  |
| 020-052-006 | 1" Lubricator Repair Kit      | Sight dome<br>Sight dome o-ring<br>Needle valve<br>Needle valve o-ring<br>Tamper-proof knob<br>Drip spout<br>Drip spout o-ring<br>Adjusting cap |
| 020-052-007 | 1" Mounting Bracket           |   |
| 020-052-008 | 1" Insert Kit                 |   |
| 020-054-000 | Replacement 2" Pressure Gauge |   |

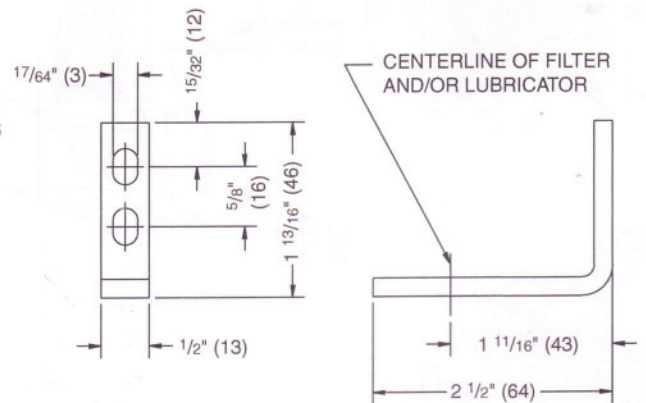
### Max. Air Consumption

| Size | SCFM | Liters/sec. |
|------|------|-------------|
| 1"   | 250  | 118         |

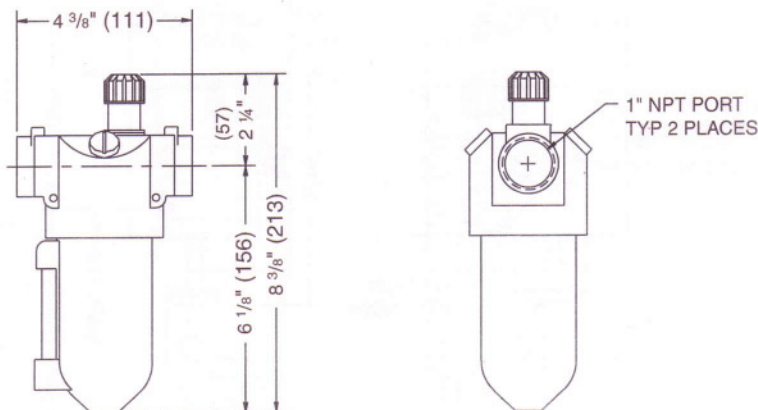
### 1" Filter/Regulator 020-052-000



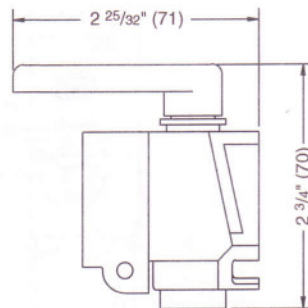
### 1" Mounting Bracket 020-052-007



### 1" Lubricator 020-052-001

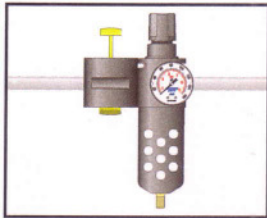


### 1" Shutoff Valve 020-052-002



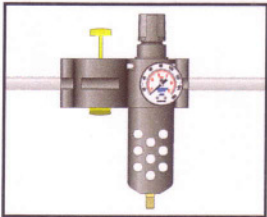
Dimensions are  $\pm 1/8"$   
Figures in parenthesis = millimeters

# Air Preparation Accessories Selection Guidelines



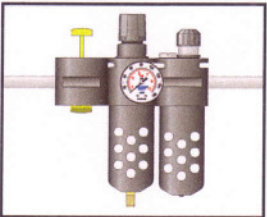
## Filter/Regulator Direct Piped

|                              | 1/4"        | 1/2"        | 3/4"        |
|------------------------------|-------------|-------------|-------------|
| Filter/Regulator             | 020-049-000 | 020-050-000 | 020-051-000 |
| Shut-Off Valve<br>(optional) | 020-049-002 | 020-050-002 | 020-051-002 |



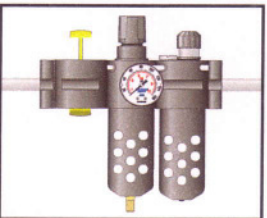
## Filter/Regulator With Modular Components

|                              | 1/4"        | 1/2"        | 3/4"        |
|------------------------------|-------------|-------------|-------------|
| Filter/Regulator             | 020-049-000 | 020-050-000 | 020-051-000 |
| End Plate (2/unit)           | 020-049-008 | 020-050-008 | 020-051-008 |
| Shut-Off Valve<br>(optional) | 020-049-002 | 020-050-002 | 020-051-002 |



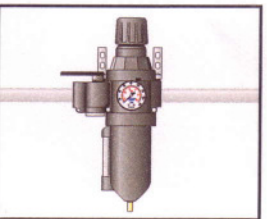
## Filter/Regulator/Lubricator Direct Piped

|                              | 1/4"        | 1/2"        | 3/4"        |
|------------------------------|-------------|-------------|-------------|
| Filter/Regulator             | 020-049-000 | 020-050-000 | 020-051-000 |
| Lubricator                   | 020-049-001 | 020-050-001 | 020-051-001 |
| Shut-Off Valve<br>(optional) | 020-049-002 | 020-050-002 | 020-051-002 |



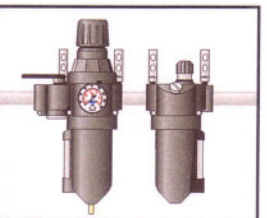
## Filter/Regulator/Lubricator With Modular Components

|                              | 1/4"        | 1/2"        | 3/4"        |
|------------------------------|-------------|-------------|-------------|
| Filter/Regulator             | 020-049-000 | 020-050-000 | 020-051-000 |
| Lubricator                   | 020-049-001 | 020-050-001 | 020-051-001 |
| End Plate (2/unit)           | 020-049-008 | 020-050-008 | 020-051-008 |
| Shut-Off Valve<br>(optional) | 020-049-002 | 020-050-002 | 020-051-002 |



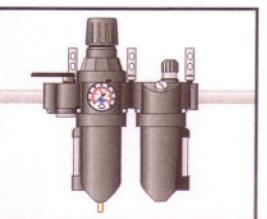
## 1" Filter/Regulator With Modular Components

|                              | 1"          |
|------------------------------|-------------|
| Filter/Regulator             | 020-052-000 |
| Shut-Off Valve<br>(optional) | 020-052-002 |



## 1" Filter/Regulator/Lubricator Direct Piped

|                              | 1"          |
|------------------------------|-------------|
| Filter/Regulator             | 020-052-000 |
| Lubricator                   | 020-052-001 |
| Shut-Off Valve<br>(optional) | 020-052-002 |



## 1" Filter/Regulator/Lubricator With Modular Components

|                              | 1"          |
|------------------------------|-------------|
| Filter/Regulator             | 020-052-000 |
| Lubricator                   | 020-052-001 |
| Insert Kit                   | 020-052-008 |
| Shut-Off Valve<br>(optional) | 020-052-002 |

1/4" • 1/2" • 3/4"

### Air Preparation Components

- Easy installation. Machine screws and o-rings provided.
- Direct connect design makes maintenance quick and simple.
- Direct-piped components provide standard installation and service access.
- Modular components with special end plates provide the quickest in-line access, without disturbing pipes.
- All units include a standard pressure gauge.
- Optional shut-off valves available.

### Performance

| Size | Max. Air Consumption |             |
|------|----------------------|-------------|
|      | SCFM                 | liters/sec. |
| 1/4" | 40                   | 18          |
| 1/2" | 80                   | 40          |
| 3/4" | 150                  | 70          |

### Materials of Construction

- Metal component parts are zinc.
- Sight tubes and bowls are polycarbonate.

1"

### Air Preparation Components

- Easy installation. No hardware required.
- Simple removal for service, by pulling 2 pins.
- Direct-piped installation provides in-line access, without disturbing pipes.
- Modular components provide a more compact installation.
- All units include a standard pressure gauge.
- Optional shut-off valve available.

### Performance

| Size | Max. Air Consumption |             |
|------|----------------------|-------------|
|      | SCFM                 | liters/sec. |
| 1"   | 250                  | 118         |

### Materials of Construction

- Metal component parts are zinc.
- Sight tubes and bowls are polycarbonate.